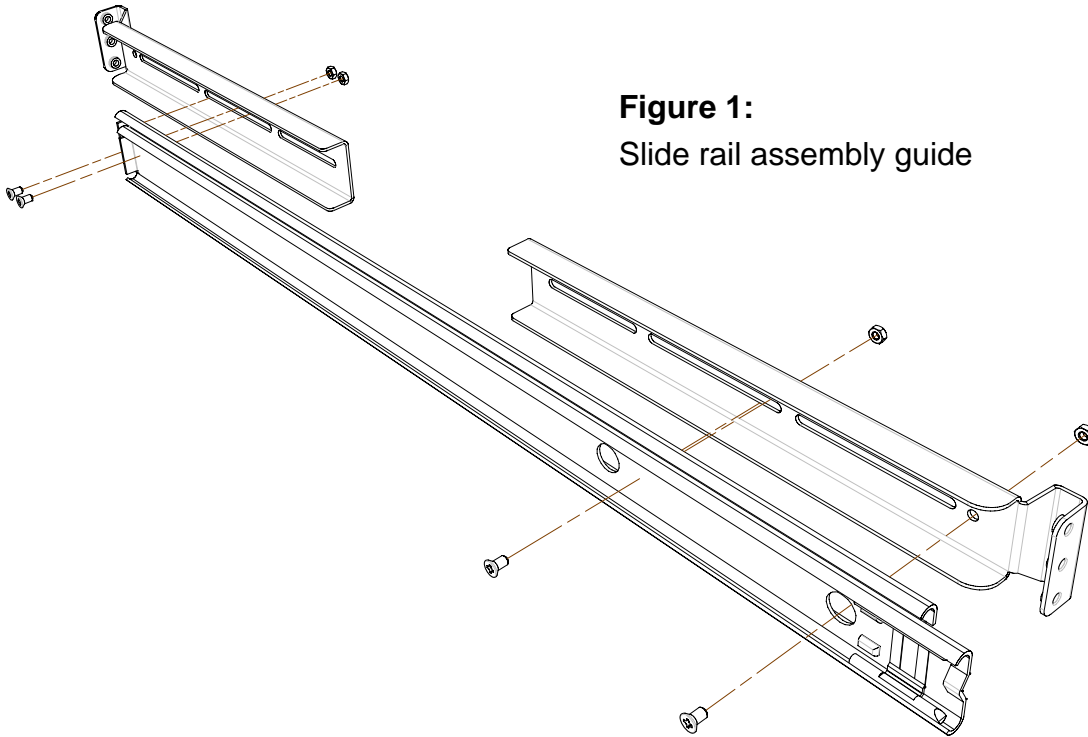


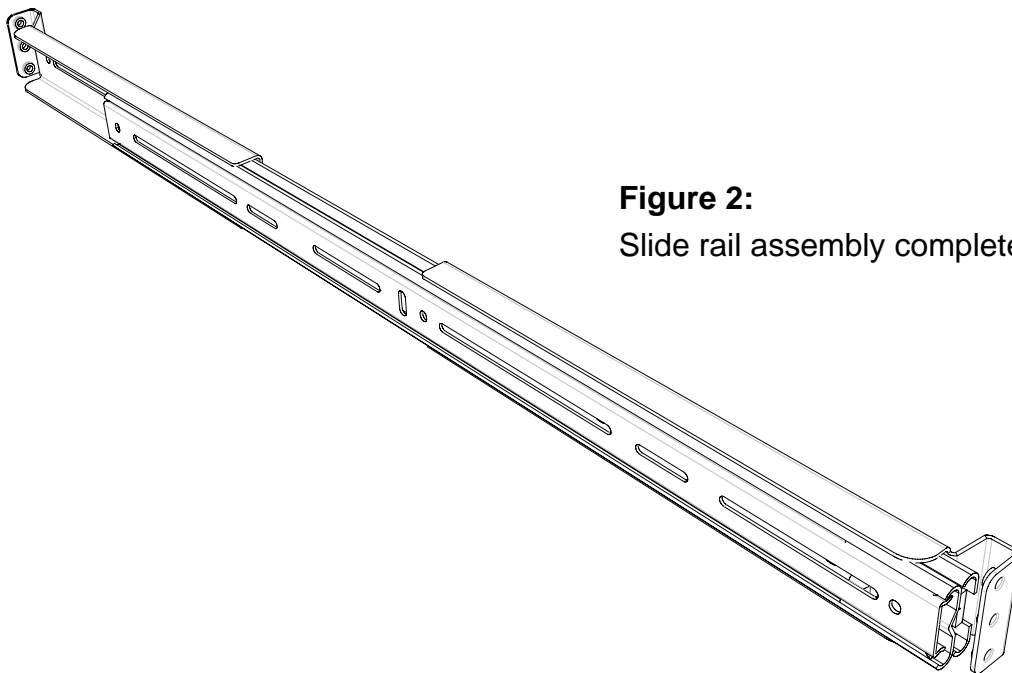


## Installation Guide • April 2010

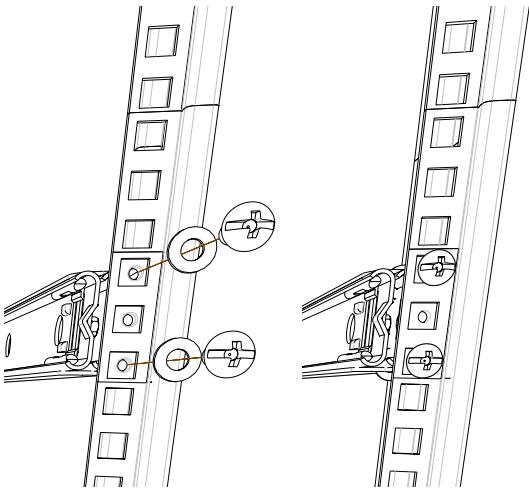
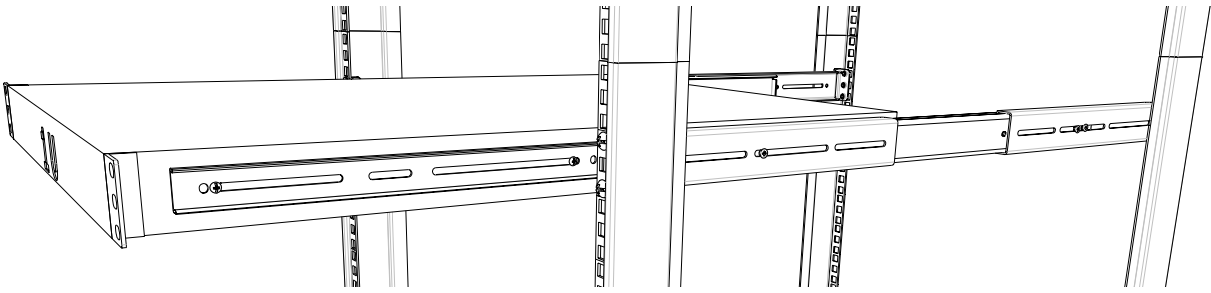
Note: This slide rail is for use on most 1U, 2U, 3U, 4U rackmount server chassis that list this kit as an accessory or option.



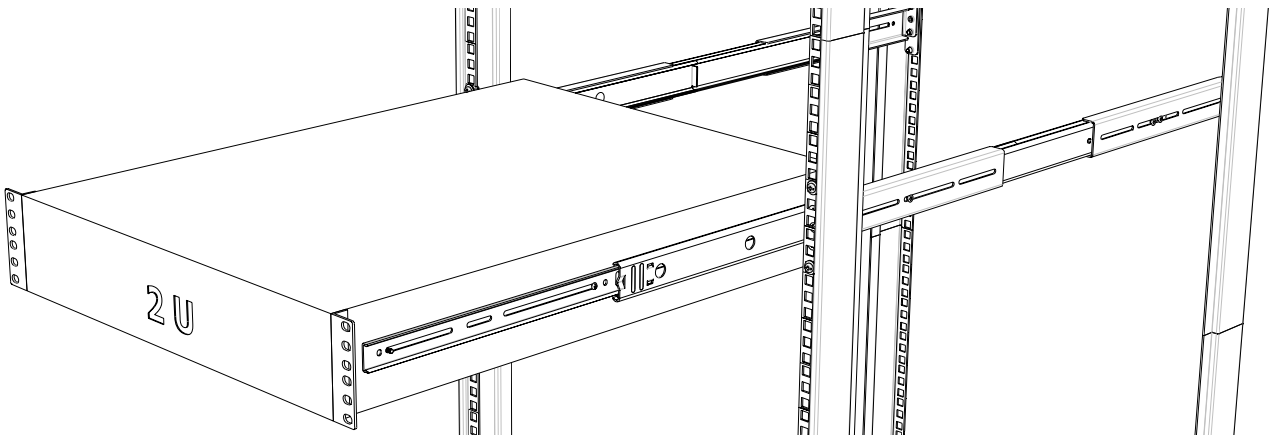
**Figure 1:**  
Slide rail assembly guide



**Figure 2:**  
Slide rail assembly completed



**Figure 3:**  
While installing 1U and 3U chassis with cabinet, please install the slide rail at the center of two sides of 1U and 3U chassis.



**Figure 4:**  
While installing 2U and 4U chassis with cabinet, please install the stacked mounting converter to slide rail bracket .

